

Centre Number						Candidate Number				
Surname										
Other Names										
Candidate Signature										

For Examiner's Use	
Examiner's Initials	
Question	Mark
1	
TOTAL	



General Certificate of Education
Advanced Level Examination
June 2012

Physics

(Specifications A and B)

PHA6/B6/XPM2

Unit 6 Investigative and Practical Skills in A2 Physics
Route X Externally Marked Practical Assignment (EMPA)

Section A Part 2

For this paper you must have:

- a calculator
- a pencil
- a ruler.

Instructions

- Use black ink or black ball-point pen.
- Fill in the boxes at the top of this page.
- Answer **all** questions.
- You must answer the questions in the spaces provided. Do not write outside the box around each page or on blank pages.
- Show all your working.
- Do all rough work in this book. Cross through any work you do not want to be marked.

Information

- The marks for questions are shown in brackets.
- The maximum mark for Section A Part 2 is 16.

Section A Part 2

Follow the instructions given below.

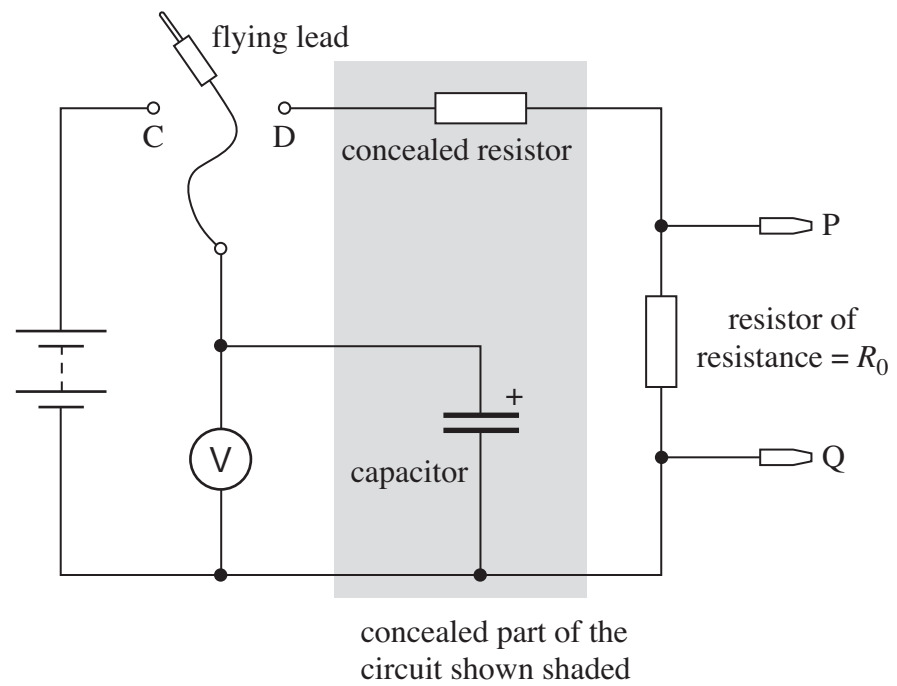
Answer **all** the questions in the spaces provided.

No description of the experiment is required.

- 1** In this experiment you are to investigate the discharge of a capacitor through different combinations of resistors.

You are provided with the circuit shown in **Figure 4**, part of which is concealed, as shown by the shaded region on the diagram.

Figure 4



- 1 (a)** Charge the capacitor by connecting the flying lead to terminal C. The voltmeter will show a steady reading.

Connect the flying lead to terminal D so that the capacitor discharges through the concealed resistor and the resistance R_0 . The voltmeter reading will be seen to fall exponentially.

Make suitable measurements to determine T_0 , the time for the voltmeter reading to decrease by 50%.

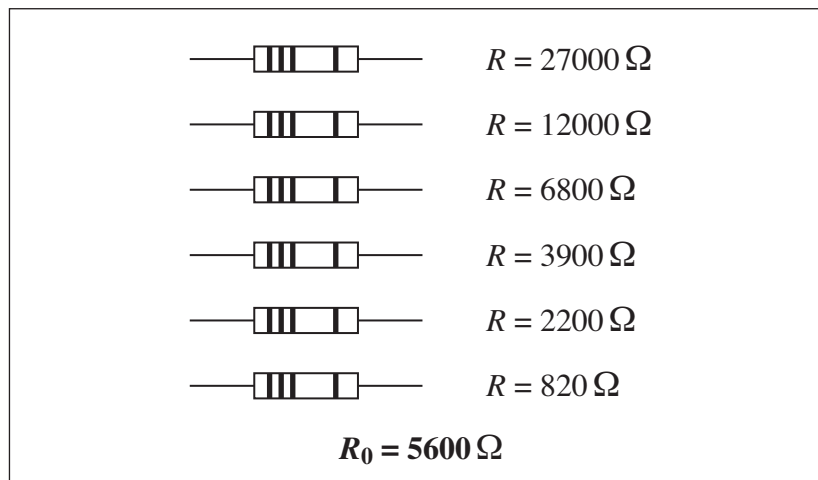
.....
.....

$T_0 = \dots\dots\dots$

(1 mark)

- 1 (b) You are provided with a postcard to which six resistors have been attached; the resistance, R , of each of these is printed on the card, as shown in **Figure 5**.

Figure 5



Connect the resistor with $R = 27000 \Omega$ between clip P and clip Q so that it is in parallel with resistor R_0 .

Using the same procedure for charging and then discharging the capacitor as before, make suitable measurements to obtain T , the time for the voltmeter reading to decrease by 50%.

Repeat the procedure using each resistor, in turn, between P and Q, until you have obtained values of T for all six resistors.

Record your measurements and observations below.

(4 marks)

Turn over ►

- 1 (c)** Use the value of R_0 printed on the postcard to calculate values of $\frac{R}{R + R_0}$ that correspond to each of your values for T .

Record these data below.

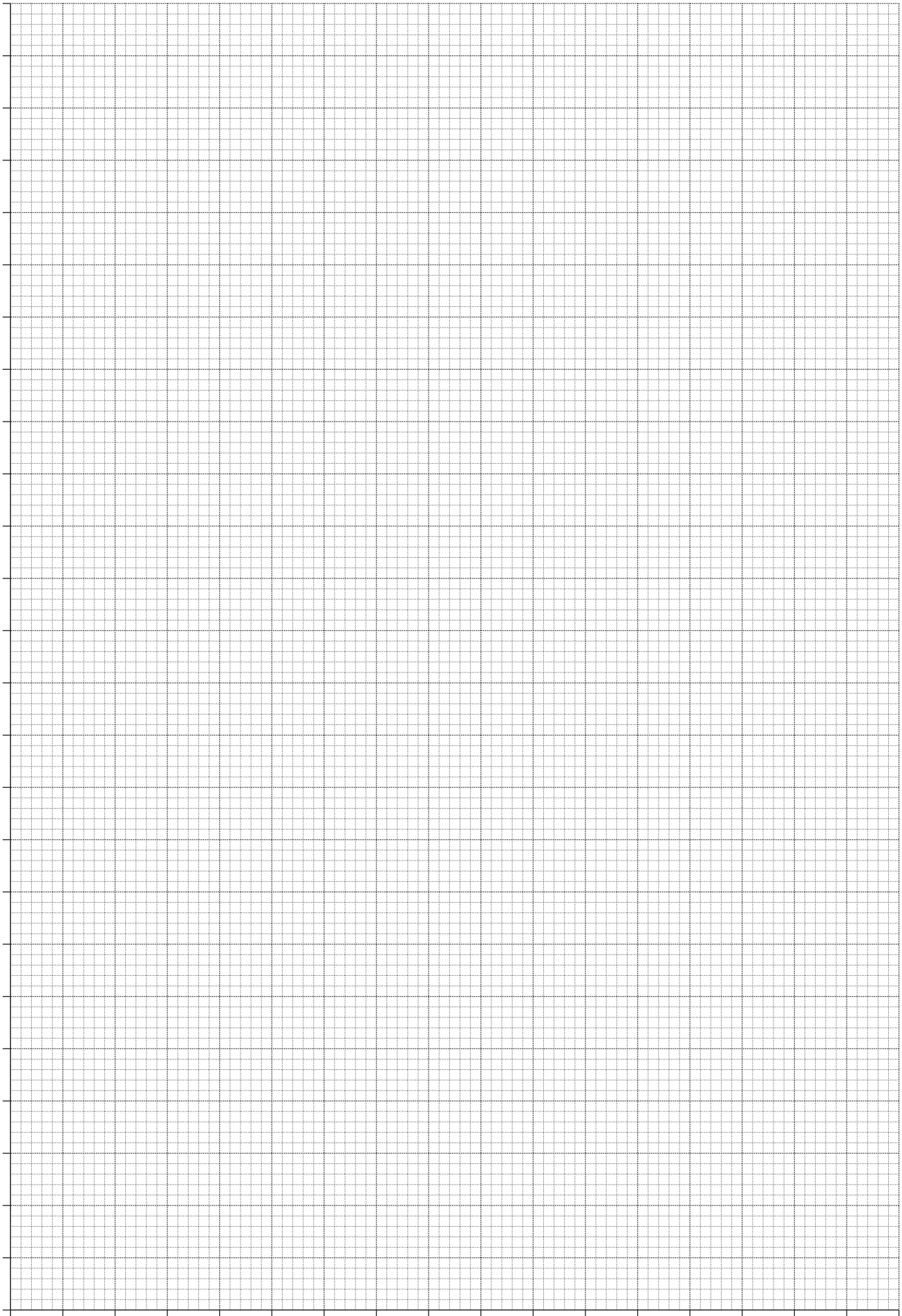
(2 marks)

- 1 (d)** Plot, on the grid opposite, a graph with $\frac{R}{R + R_0}$ on the vertical axis and T on the horizontal axis.

(9 marks)

16

END OF QUESTIONS



There are no questions printed on this page

**DO NOT WRITE ON THIS PAGE
ANSWER IN THE SPACES PROVIDED**

There are no questions printed on this page

**DO NOT WRITE ON THIS PAGE
ANSWER IN THE SPACES PROVIDED**

There are no questions printed on this page

**DO NOT WRITE ON THIS PAGE
ANSWER IN THE SPACES PROVIDED**